



INTERACTIVE FLAT PANEL
Avtek TS 9 Mate G



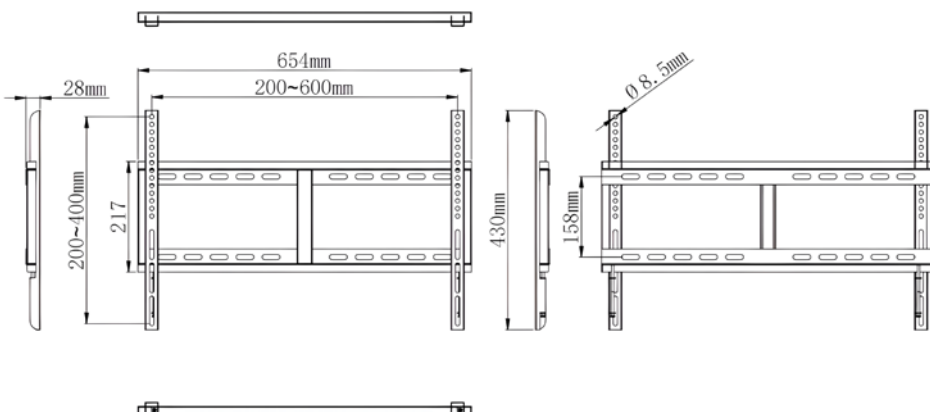
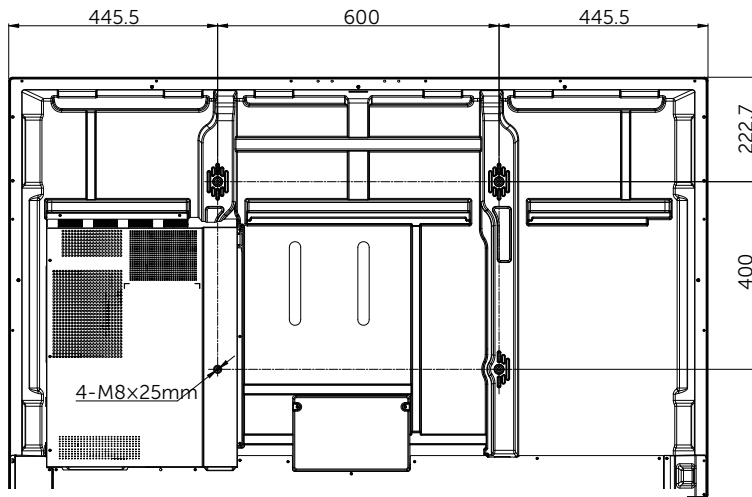
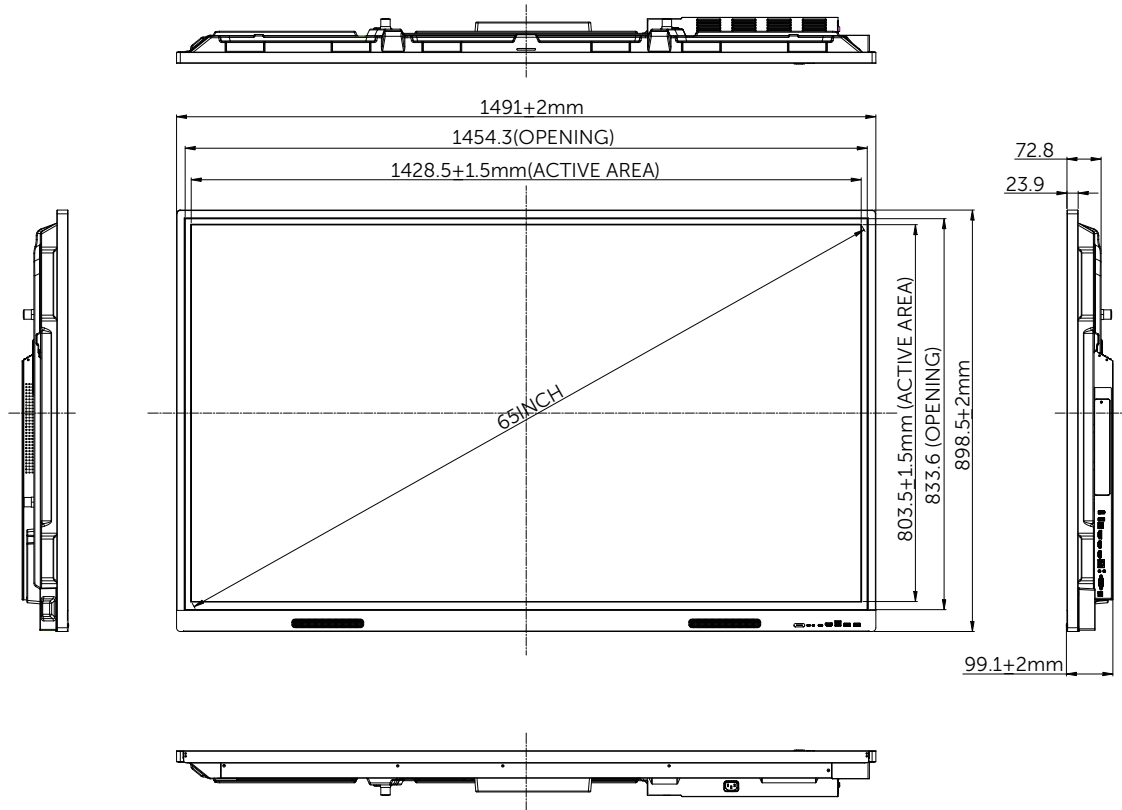
Inspire | Engage | Lead

SIZE (DIAGONAL)	65"	75"	86"
DISPLAY			
Screen resolution	4K/UHD (3840×2160)		
Display area	1428 × 804 mm	1650 × 928 mm	1895 × 1066 mm
Pixel pitch	0.372 × 0.372 mm	0.430 × 0.430 mm	0.494 × 0.494 mm
Panel type	VA		
Backlight type	Direct LED		
Response time	6.5 ms		
Refresh rate	60 Hz		
Aspect ratio	16:09		
Display colors	1.07 billion (10bit)		
NTSC	72%		
sRGB	100%		
Brightness	500 cd/m ²		
Adaptive brightness	Yes		
Viewing angles	178°		
Contrast ratio	5000:1		
Static contrast	5000:1		
Panel life	≥ 50,000 hours		
Front glass thickness	3 mm		
Hardness	> 9H, 7 Mohs		
Bonding technology	Zero bonding GEN 2		
Safety glass (tempered)	Yes		
Anti-glare coating	Yes, chemical coating		
Blue light filter	Yes, software solution		
Antibacterial coating	Yes		
TOUCH SPECIFICATION			
Technology	Infrared (IR)		
Touch tool	Finger or any other object		
Min. object size	3 mm		
Touch points	50		
Touch resolution	32768 × 32768 pts		
Response time	< 10 ms		
Precision	±2 mm		
Detection height	< 2 mm		
Supported OS	Windows (10/8/7/XP), Android, Linux, Mac OS X, Chrome		
Dual-color writing	Yes		
INPUTS/OUTPUTS			
HDMI inputs (Side)	2		
HDMI 1	HDMI 2.0, ARC/CEC, HDCP 1.2/2.2		
HDMI 2	HDMI 2.0, CEC, HDCP 1.2/2.2		
HDMI outputs	1		
HDMI OUT	HDMI 2.0, HDCP 1.2/2.2		
HDMI inputs (Front)	1		
HDMI 3	HDMI 2.0, CEC, HDCP 1.2/2.2		
Audio 3.5 mm ports	1 × Input / 1 × Output		
USB ports (Side)	1 × USB-A 3.0 / 1 × USB-A 2.0		
USB ports (Front)	2 × USB-A 3.0 / 1 × USB-C 3.1 Gen1		

SIZE (DIAGONAL)	65"	75"	86"
USB shared with OPS and Touch		Yes	
USB-B Touch ports		1 x USB-B 2.0 (Front) / 1 x USB-B 2.0 (Side)	
SPDIF port		1	
RS232 control port		1	
RJ45 port		1	
TCP/IP command support		Yes	
Ethernet bandwidth		10/100 Mbps	
Optional OPS computer slot		Yes	
NFC		No	
Built-in microphone		No	
Built-in speakers		2 x 25 W, 90 dB SPL	
ANDROID MODULE SPECS			
OS Version		16	
System resolution		4K/UHD (3840x2160)	
CPU		Rockchip 3576	
Lithography		8 nm	
Cores		A72 x 4 + A53 x 4	
Clock speed		4 x 2.2 GHz + 4 x 2 GHz	
Cache		1.5 MB	
GPU		ARM Mali G52 MC3	
Supported APIs		OpenGL ES 1.1, 2.0 and 3.2, OpenCL 2.1, Vulkan 1.2	
NPU		Yes	
Computing power		6 TOPS	
RAM		8 GB	
RAM Type		LPDDR5	
Flash Memory		64 GB	
Memory Type		eMMC 5.1	
AnTuTu Score		> 435,000	
Avg. Boot Time		< 35 sec	
WiFi		Built-in, 802.11 a/b/g/n/ac/ax (2.4 GHz/5 GHz, range 0-10 m) WiFi6	
Bluetooth		Built-in, 5.4 (2.4 GHz, range 0-10m)	
SOFTWARE INFORMATION			
Google EDLA		Yes	
Google Play		Yes	
OSD / Android Menu Languages		Polish, Czech, German, English, Spanish, French, Croatian, Hungarian, Italian, Lithuanian, Latvian, Ukrainian	
Whiteboard/Note App		Yes	
Annotation on any source		Yes	
Custom logo upload		Yes	
Source renaming		Yes	
Built-in voting tools		Yes	
Windows software compatible with Note app		Yes, Note software	

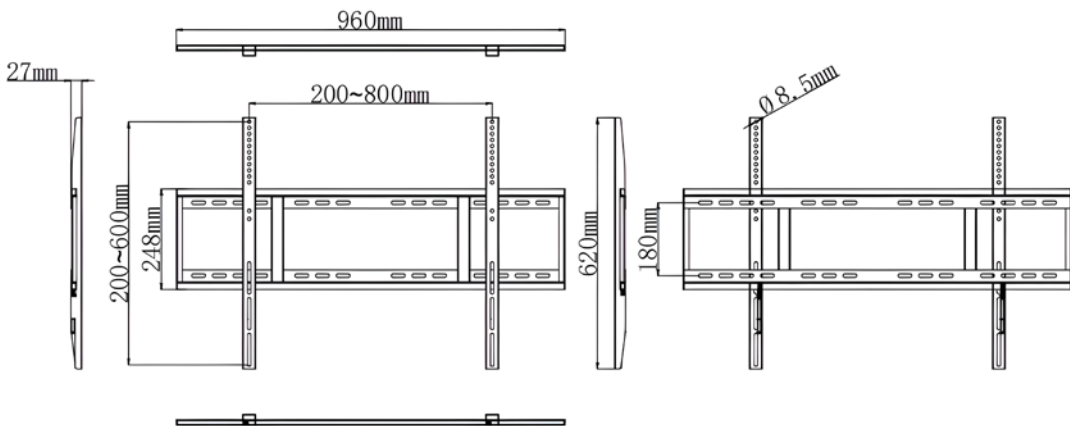
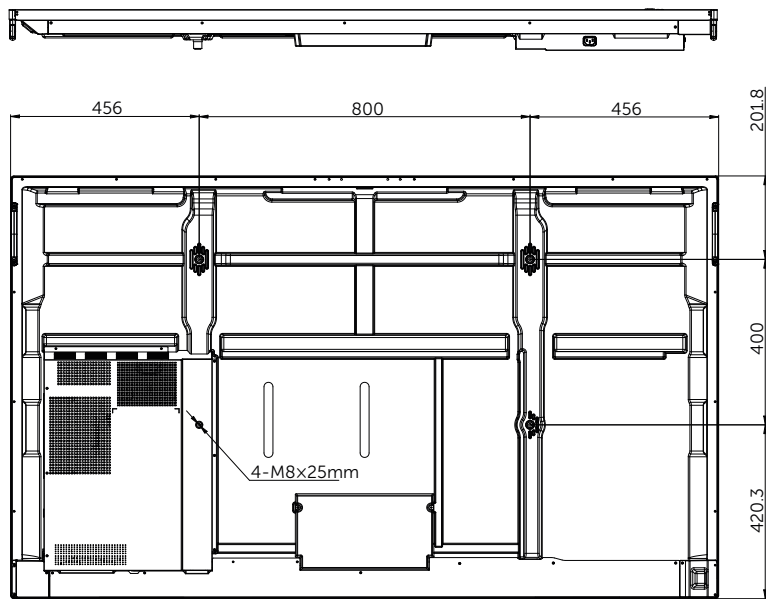
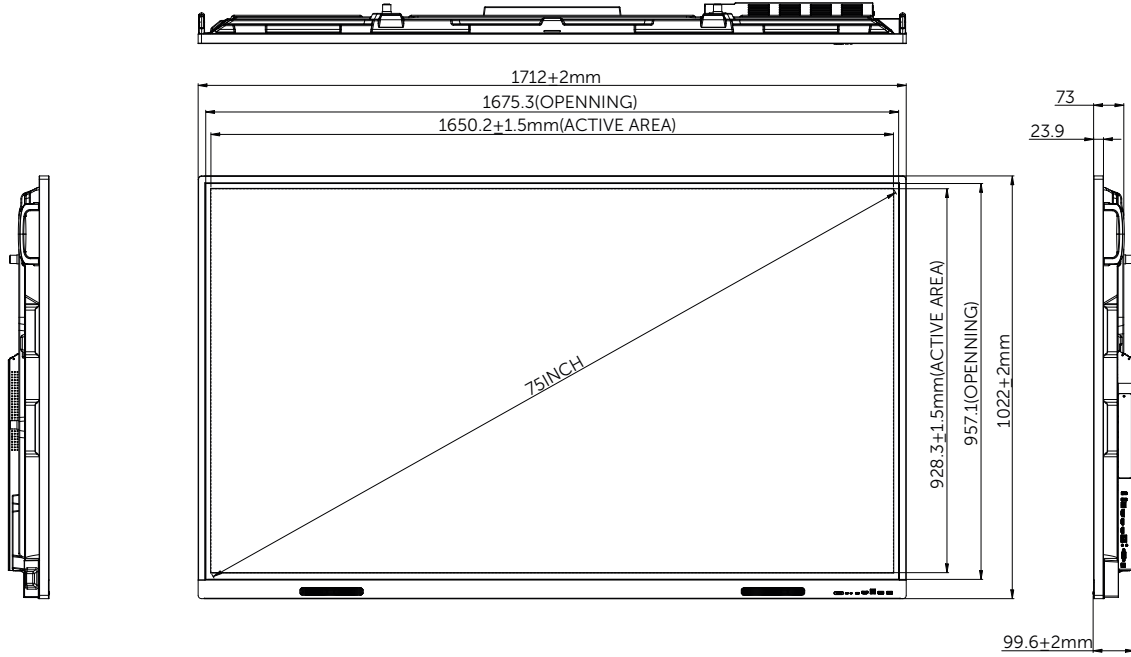
SIZE (DIAGONAL)	65"	75"	86"
USAGE DATA			
Buttons on housing	1 physical button on front		
Input/Output location	right side, front		
Dimensions	1491 × 898.5 × 99.1 mm	1712 × 1022 × 99.6 mm	1957 × 1160 × 98.6 mm
Package Dimensions	1620 × 1011 × 179 mm	1853 × 1150 × 179 mm	2100 × 1286 × 176 mm
Net Weight	28.51 kg	40.30 kg	50.42 kg
Gross Weight	38.20 kg	53.90 kg	66.30 kg
VESA Mount	600 × 400	800 × 400	
Wall mount included	Yes, VESA up to 600 mm	Yes, VESA up to 800 mm	
Depth with mount	127 mm		126 mm
Mounting screws	4 × M8×25mm		
Operation time	24/7		
Power requirement	100 - 240 V AC / 50 or 60 Hz / 3.0 A	100 - 240 V AC / 50 or 60 Hz / 3.5 A	
Power consumption	≤ 0.5 W (Standby) / 127 W (Nominal) / 295 W (Max)	≤ 0.5 W (Standby) / 152 W (Nominal) / 325 W (Max)	≤ 0.5 W (Standby) / 167 W (Nominal) / 325 W (Max)
ENVIRONMENTAL CONDITIONS			
Operating temperature	0°C to 40°C		
Operating humidity	10% to 90%		
Storage temperature	-20°C to 60°C		
Storage humidity	10% to 90%		
Operating altitude	max. 5000 m a.s.l.		
OTHER INFORMATION			
Diagnostic tools	Yes		
Warranty	5 years (2 years one-to-one)		
Included accessories	Power cable (3 m), USB cable (3 m), HDMI cable (3 m), Stylus pens with antibacterial coating (2 pcs), Remote control, Quick start guide, Wall mount		
Certificates related to the product or its production	CE (LVD, ERP, EMC, RED, WEEE, RoHS), REACH, ISO 9001, ISO 50001, ISO 45001, IATF 16949, IECQ QC 080000:2017		
Included USB cable version	2.0		
Included HDMI cable version	2.0		

For more information on Avtek interactive monitors and software, visit the Avtek Information Center at <https://avtek.pl/download>.



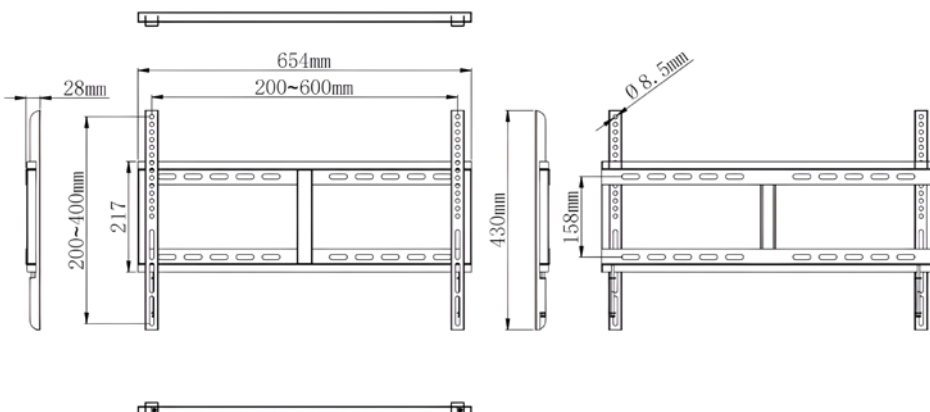
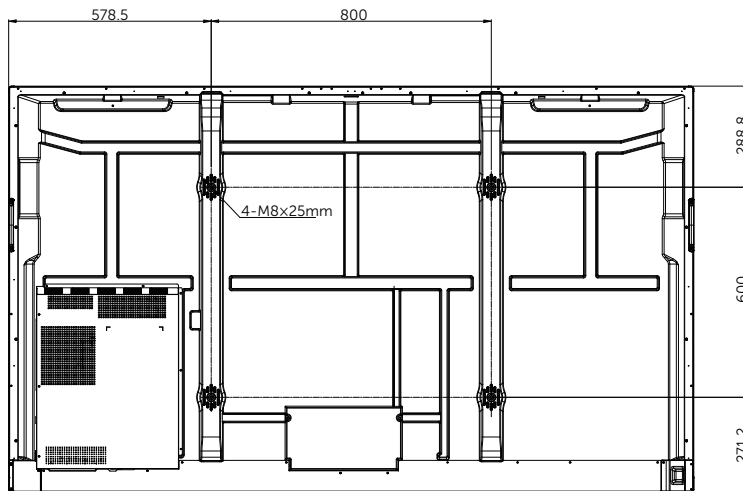
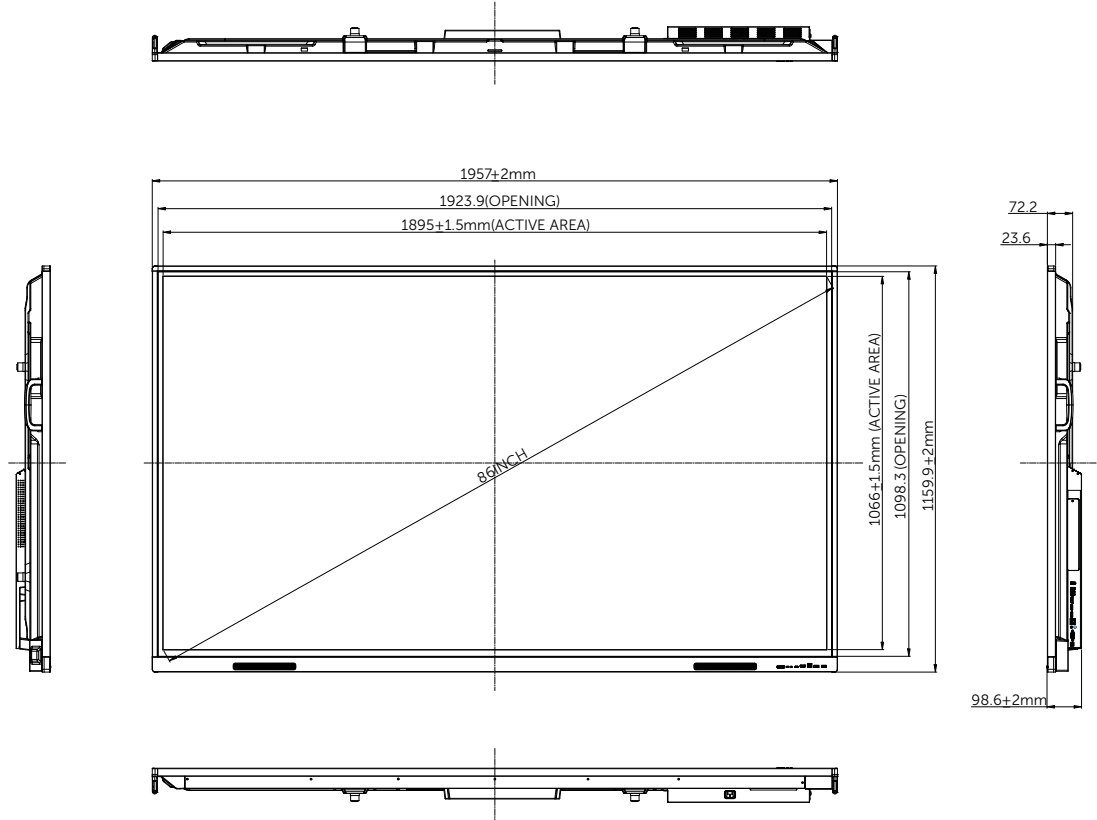
ENERGY label for the Avtek TS 9 Mate G 65 monitor:

- Energy efficiency class: **G**
- Energy consumption: **127 kWh/1000h**
- Resolution: 3840 px x 2160 px
- Screen size: 65 cm (26")
- QR code and product name: Avtek TS 9 Mate G 65



ENERGY label for the Avtek TS 9 Mate G 75 monitor:

- Brand: Avtek
- Model: TS 9 Mate G 75
- Energy Efficiency Class: **G**
- Power Consumption: **151 kWh/1000h**
- Resolution: 3840 px x 2160 px
- Screen Size: 75 cm (29.1")
- QR Code: [QR Code]
- Small print: 2019/0513



ENERGY label for the Avtek TS 9 Mate G 86 monitor:

- Energy efficiency class: **G**
- Power consumption: **167 kWh/1000h**
- Resolution: 3840 px (width) x 2160 px (height)
- Diagonal size: 86 cm (33.9")
- QR code and model: TS 9 Mate G 86